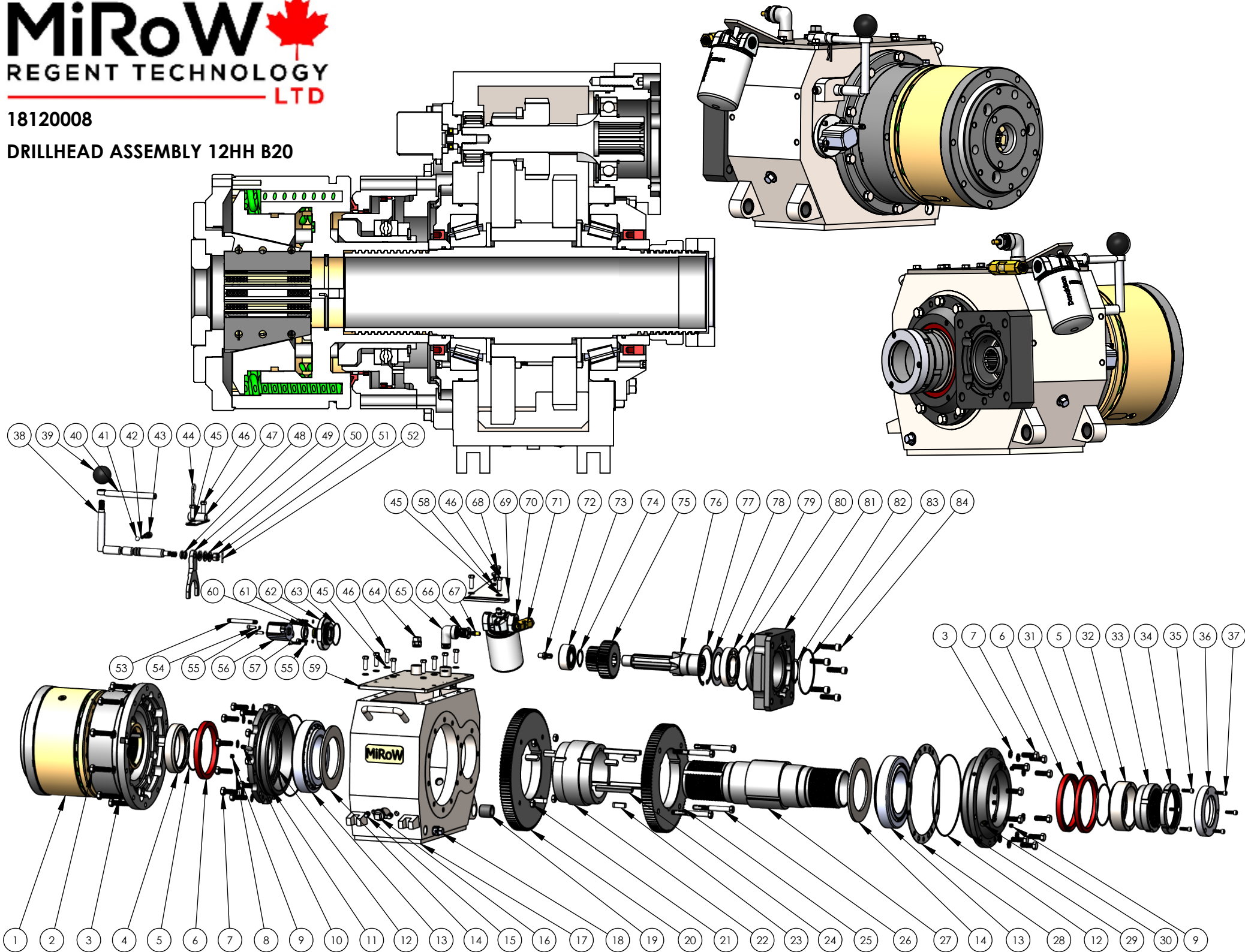


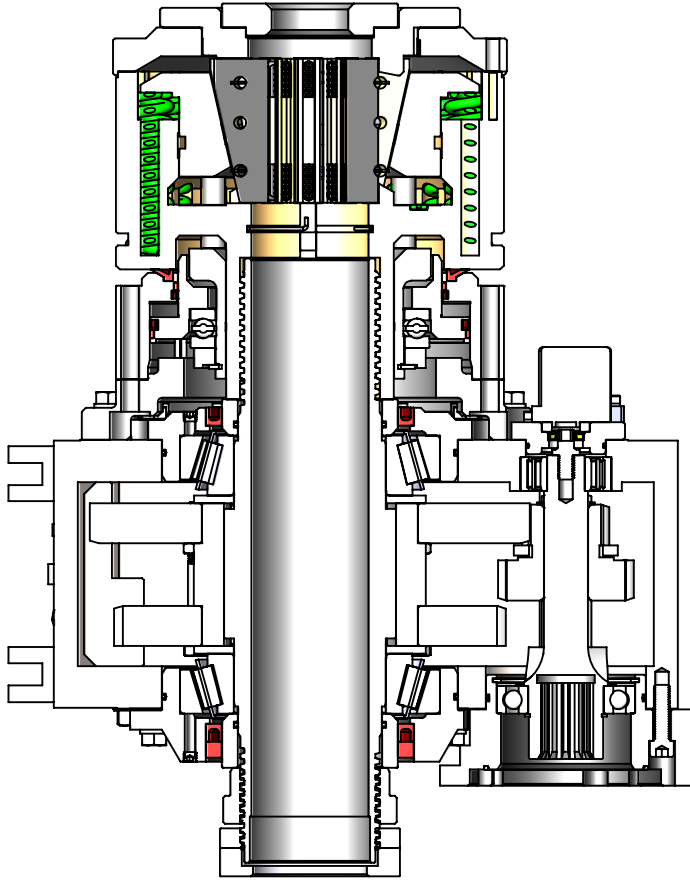
18120008

DRILLHEAD ASSEMBLY 12HH B20



18120008

DRILLHEAD ASSEMBLY 12HH B20



ITEM NO.	PART NUMBER	DESCRIPTION	QTY.	ITEM NO.	PART NUMBER	DESCRIPTION	QTY.
1	18120001	CHUCK ASSEMBLY, 12HH-B20 (12.5 DEG)	1	43	18100248	SPRING RETAINER, B15/B20/P	1
2	HHCS120132005	1/2-13UNC X 2" LG HHCS (GR.5)	10	44	18100257	HITCH PIN CLIP ASSEMBLY, B15/B20/P	1
3	WASHERLK120	1/2" REGULAR LOCKWASHER	20	45	WASHERLK380	3/8" LOCK WASHER	12
4	18100296	CLAMP RING B15/B20, CHUCK SIDE	1	46	HHCS380161145	3/8-16UNC X 1-1/4" LG HHCS (GR.5)	12
5	18100323	O RING, CLAMP RING B15/B20	2	47	18100249	SHIFTER LEVER BRACKET, B20/"P"	1
6	18100351	OIL SEAL, BEARING RETAINER B15/B20	2	48	18100359	O-RING	2
7	HHCS120131125	1/2-13UNC X 1-1/2" LG HHCS (GR.5)	20	49	18100115	SHIFTER YOKE, B15/B20/"P"	1
8	WASHERLKET120	1/2" LOCKWASHER EXTERNAL TOOTH	10	50	WASHERHRD12011	1/2" SAE HARDENED WASHER	3
9	PPSKH0180	1/8" SOCKET HEAD PIPE PLUG	6	51	NUTSC12020	1/2-20UNF SLOTTED NUT	1
10	PN0180300S	1/8" NPT X 3" PIPE NIPPLE	1	52	CP180112	COTTER PIN 1/8" X 1-1/2" LG	1
11	18100236	BEARING RETAINER, CHUCK SIDE, B20	1	53	PN0180350S	1/8" NPT X 3-1/2" PIPE NIPPLE	1
12	18100350	O RING, BEARING RETAINER, B20	2	54	SHCS14020034	1/4-20UNC X 3/4" LG SHCS	2
13	18100349	BEARING, TAPERED ROLLER, B20 SPINDLE	2	55	WASHERLKHC140B	1/4" HI-COLLAR LOCKWASHER	6
14	18100234	THRUST WASHER, B20	2	56	18100281	LUBE PUMP B15/B20/"P"	1
15	PPSQHD0140	1/4" SQUARE HEAD PIPE PLUG	2	57	SHCS14020100	1/4-20UNC X 1" LG SHCS	4
16	PPSQHD100	1" SQUARE HEAD PIPE PLUG	1	58	LOCKWASHER140	1/4" REGULAR LOCKWASHER	2
17	18100228	B20 DRILLHEAD HOUSING	1	59	18100245	HOUSING COVER, B20	1
18	MPSQH340	3/4-14NPT SQUARE HEAD MAGNETIC PLUG	2	60	18100254	SPACER, LUBE PUMP, B20/P	1
19	18100336	BUSHING, B15,B20,"P",070,170	2	61	18100361	OIL SEAL, PUMP MOUNTING PLATE, B15/B20/"P"	1
20	18100229	DRIVE SLEEVE GEAR 108T, B20	1	62	18100271	MOUNTING ADAPTER, B20/"P"	1
21	NUTHJ12013	1/2-13UNC HEX JAM NUT	4	63	18100353	O RING	1
22	18100230	DRIVE SLEEVE, B20	1	64	PPSQHD0340	PIPE PLUG, 3/4" NPT SQUARE HEAD	1
23	18100233	KEY, B20/P	6	65	STELBOW340	3/4" STREET ELBOW	1
24	18100231	DRIVE SLEEVE KEY, B20/P	3	66	REDNPT340180	3/4" X 1/8" NPT REDUCER	1
25	18100232	DRIVE SLEEVE GEAR 96T, B20	1	67	18100173	1/8" NPT BREATHER PLUG	1
26	18100253	4-1/2" MODIFIED HHCS	4	68	HHCS140200345	1/4-20UNC X 3/4" LG HHCS (GR.5)	2
27	18100002	DRIVE SPINDLE, B20	1	69	18100246	FILTER BRACKET B15/B20/"P"	1
28	18100235	SHIM SET, B20 DRILLHEAD	1	70	18100307	OIL FILTER ASSEMBLY	1
29	18100237	BEARING RETAINER, MOTOR SIDE, B20	1	71	18100282	SIGHT GLASS - OIL FLOW	1
30	GF18NPTS	1/8" NPT GREASE FITTING	1	72	18100243	DRIVE TIP, LH THREAD B15/B20	1
31	18100352	OIL SEAL	1	73	18100354	BEARING, ROLLER INPUT SHAFT (MOTOR END)B15/B20/"P"	1.81004e+07
32	18100310	CLAMP RING, B15/B20, MOTOR SIDE	1	74	18100355	RETAINING RING	1
33	18100161	SPINDLE NUT, B15/B20	1	75	18100240	PRIMARY GEAR, B20/P	1
34	18100162	LOCK NUT, B15/B20	1	76	18100242	INPUT DRIVE SHAFT, "D" SPLINE, B20/P	1
35	SHCS51624100	5/16-24UNF X 1" SHCS	3	77	18100360	RETAINING RING, MOUNTING ADAPTER B15/B20/P	1
36	18100239	BUSHING RETAINER, B15/B20	1	78	18100255	BEARING SHIELD, B15/B20/P	1
37	SHCS516518114	5/16-18UNC X 1-1/4" LG SHCS	3	79	18100356	BALL BEARING	1
38	18100250	SHIFTER ROD, B20	1	80	18100357	O-RING, MOTOR ADAPTER B20/P	1
39	BALLKNOB	BALL KNOB	1	81	18100244	MOTOR ADAPTER, B20/P	1
40	18100256	SHIFTER LEVER GUIDE, B20/P	1	82	18100358	RETAINING RING	1
41	BALLS716	7/16" STEEL BALL	1	83	18100636	O-RING	1
42	18100247	SPRING, GEAR SHIFTER DETENT, B15/B20/P	1	84	SHCS12013134	1/2-13UNC X 1-3/4" LG SHCS	5