

4

3

2

1

D

D

C

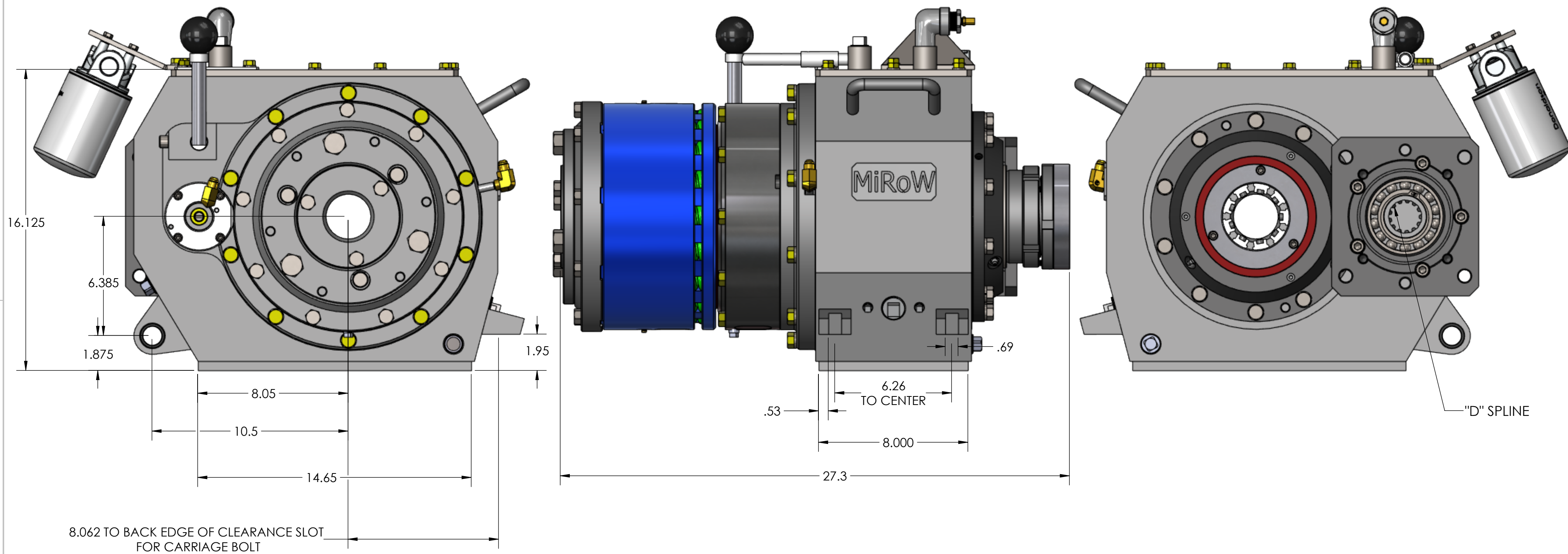
C

B

B

A

A



18120008 B20 DRILLHEAD ASSEMBLY  
MOUNTING DIMENSIONS

REVISIONS			
REV.	DESCRIPTION	DATE	APPROVED

**PROPRIETARY AND CONFIDENTIAL**  
COPYRIGHT MiRoW Technology Ltd.  
CONFIDENTIAL- RELEASED AND  
ACCEPTED BY THE POSSESSOR ON  
CONDITION THAT NO RIGHTS OF  
REPRODUCTION OR USE ARE GIVEN  
EXCEPT FOR PURPOSES ELSEWHERE  
SPECIFIED IN WRITING BY  
MiRoW Technology Ltd.

DRAWN BY	NAME	DATE	<b>MiRoW</b> Technologie <small>Ltd</small>	<b>MiRoW</b> <small>Ltd</small>
AJR		9/05/19		
UNLESS OTHERWISE SPECIFIED:			Material:	
0.0	+/- .01	DO NOT SCALE	DRAWING	
0.00	+/- .005	Part Name:		
0.000	+/- .002	B20 DRILLHEAD ASSEMBLY		
Fractional	+/- 1/32	SIZE	Part No:	REV
Angular	+/- 15'	<b>C</b>	18120008	
Finish	125	SCALE: 1:4	WEIGHT:	SHEET 1 OF 1
BREAK ALL SHARP CORNERS .02 X 45° UNLESS NOTED				

4

3

2

1