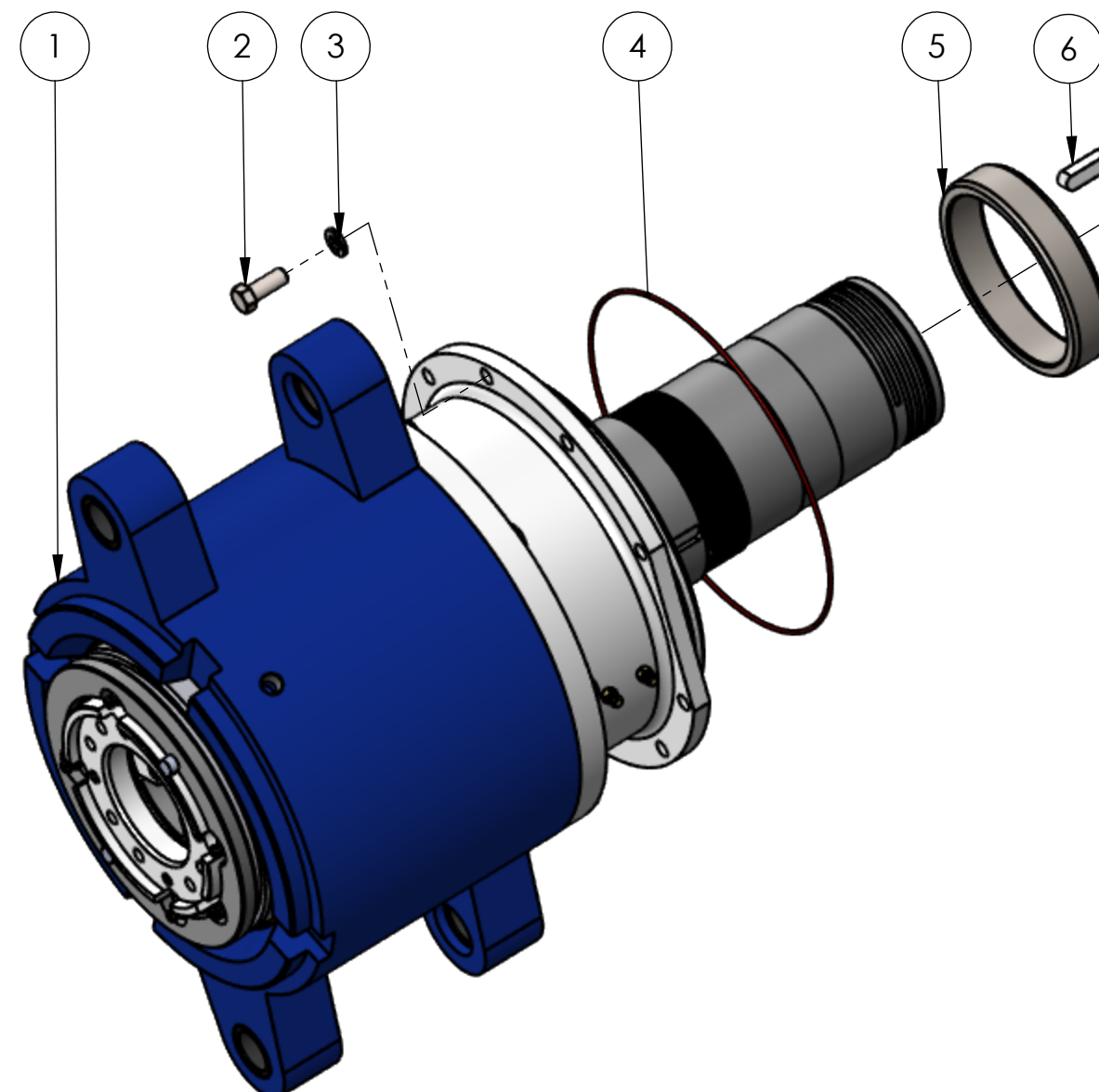
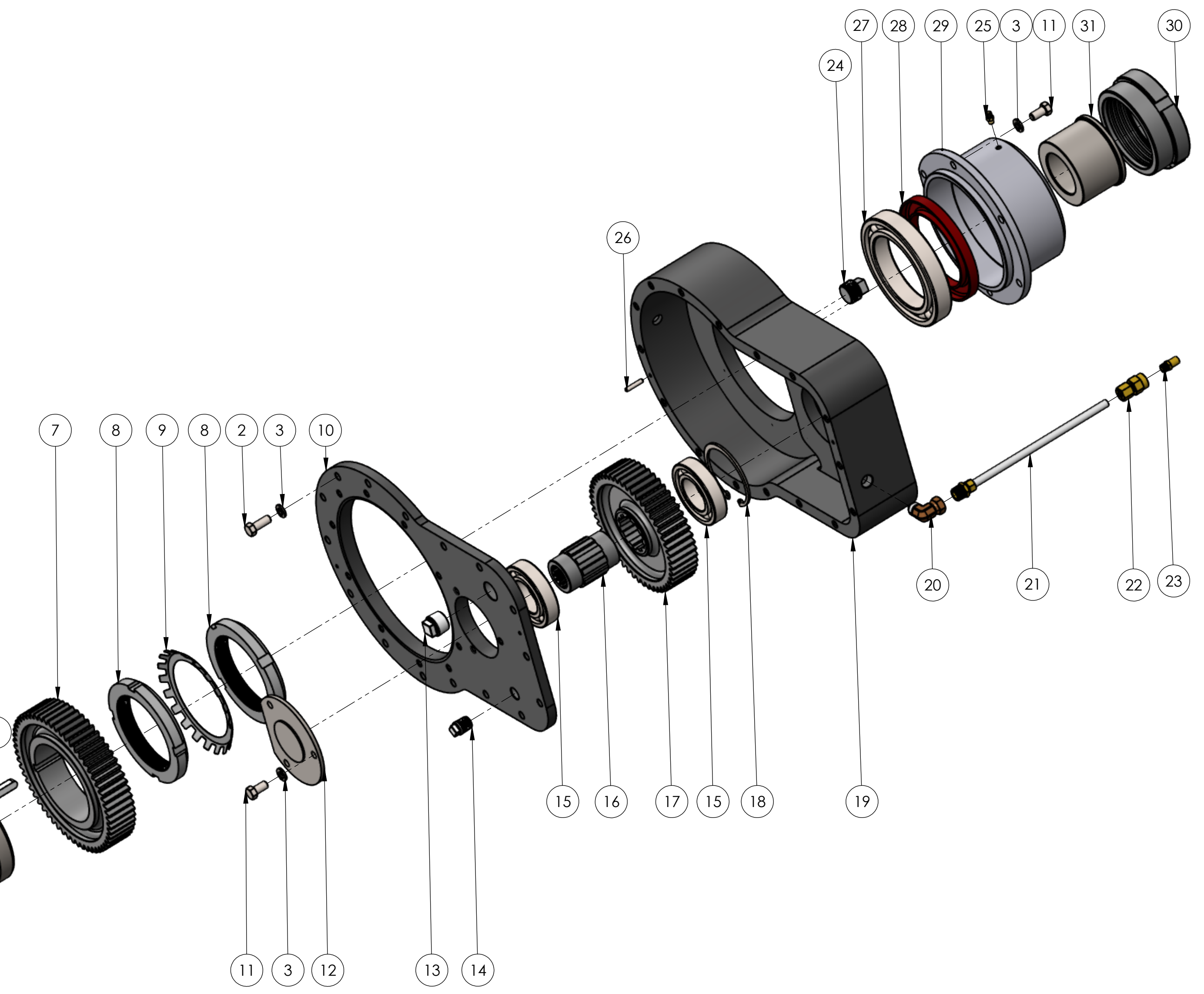


ITEM NO.	PART NUMBER	DESCRIPTION	Default/ QTY.
1	18120036	N CHUCK ASSEMBLY 12 DEGREE	1
2	HHCS380161005	3/8-16UNC X 1" LG HHCS	26
3	WASHERLK380	3/8" LOCKWASHER	35
4	18100641	O RING (2-169)	1
5	18100642	OIL SEAL SPACER	1
6	18100509	OUTPUT GEAR KEY	1
7	18100643	OUTPUT GEAR 59 T	1
8	18100644	LOCK NUT	2
9	18100645	BEARING WASHER	1
10	18100646	HOUSING COVER	1
11	HHCS380160345	3/8-16UNC X 3/4" LG HHCS	9
12	18100647	INPUT SHAFT COVER	1
13	MPSQH340	3/4"NPT SQUARE HEAD MAGNETIC PLUG	1
14	PPSQHD380	3/8 NPT PIPE PLUG	2
15	18100515	BEARING	2
16	18100516	INPUT SHAFT	1
17	18100517	INPUT GEAR, 50T	1
18	18100224	RETAINING RING	1
19	18100648	"N" DRILLHEAD HOUSING W/COVER	1
20	HAE2024-6-6S	ADAPTER 90° MALE NPTF / MALE SAE 37°	1
21	HOSE 9"	HOSE 9" - STRAIGHT / STRAIGHT	1
22	HAE2022-2-6S	ADAPTER STRAIGHT FEMALE NPTF / MALE SAE 37°	1
23	18100514	1/8" NPT BREATHER PLUG	1
24	44605K225	PIPE PLUG, 3/4" NPT SQUARE HEAD	1
25	GF14028S	GREASE FITTING 1/4-28	1
26	RP316100	3/16" X 1" LG ROLL PIN	2
27	18100649	BEARING	1
28	18100424	OIL SEAL	1
29	18100650	UPPER BEARING & SEAL HOUSING	1
30	18100651	OUTPUT SHAFT NUT	1
31	SEE BELOW	SPINDLE BUSHING	1
31	18100685	SPINDLE BUSHING, A ROD	1
31	18100652	SPINDLE BUSHING, B AND BTW ROD	1
31	18100653	SPINDLE BUSHING, N ROD AND B CASING	1



PROPRIETARY AND CONFIDENTIAL
 COPYRIGHT MiRoW Technology Ltd.
 CONFIDENTIAL- RELEASED AND
 ACCEPTED BY THE POSSESSOR ON
 CONDITION THAT NO RIGHTS OF
 REPRODUCTION OR USE ARE GIVEN
 EXCEPT FOR PURPOSES ELSEWHERE
 SPECIFIED IN WRITING BY
 MiRoW Technology Ltd.

DRAWN BY	NAME	DATE	MRW Technology MiRoW Technology Ltd
AJR	AJR	11/19/18	
UNLESS OTHERWISE SPECIFIED:			Material:
Tolerances are		DO NOT SCALE DRAWING	Part Name:
0.0	+/- .01		'N' DRILLHEAD ASSEMBLY
0.00	+/- .005		Part No:
0.000	+/- .002		18120035
Fractional	+/- 1/32		REV
Angular	+/- 15'		A
Finish	125		SCALE: 1:4 WEIGHT:
BREAK ALL SHARP CORNERS .02 X 45° UNLESS NOTED			SHEET 1 OF 1